

**USB 3.2 Gen 1 Military-Grade Shockproof Portable Hard Drive**  
**AC631**

**USB 3.2 Gen 1**  
**Military-Grade Shockproof**  
**Portable Hard Drive**

**AC631**



***Apacer Technology Inc.***

1F, No.32, Zhongcheng Rd., Tucheng Dist., New Taipei City, Taiwan, R.O.C

Tel: +886-2-2267-8000 / Fax: +886-2-2267-2261

[www.apacer.com](http://www.apacer.com)

**USB 3.2 Gen 1 Military-Grade Shockproof Portable Hard Drive**  
**AC631**

## Table of Contents

1. Product Introduction .....	3
2. Features .....	4
3. Dimensions.....	5
4. Product Specifications .....	6
5. Notice .....	7
6. Service .....	7
Revision History.....	8
Global Presence .....	9

# USB 3.2 Gen 1 Military-Grade Shockproof Portable Hard Drive AC631

## 1. Product Introduction

The AC631 2.5" portable hard drive features the new SuperSpeed USB 3.2 Gen1 standard, providing military-grade shockproof, with IP55 dustproof and water resistant protections & cable carry design, which sets a high standard for military-grade shockproof portable hard drive.

AC631 presents supreme taste of classical and metallic design with top-standard the U.S. military-grade shockproof standard (MIL-STD-810G 516.6 Procedure IV: transit drop test), it is the best companion for professional users to keep their valuable documents free from any outdoor harsh environments. AC631 is equipped with USB 3.2 Gen 1 interface, high-level of anti-shock protection and capacity to meet high-end consumers' needs.

AC631 also meets IP55 dustproof and water resistant standards which ensure your data is safely secured in the daily life. AC631's cable carry design provides users bring their USB cable easily, and the anti-scratch design also effectively prevent scratches and fingerprints while carrying or using the model.

USB type-A female connector enhances plug and unplug abilities with providing sturdy and solid structure.

Available in 1TB, and 2TB, AC631 supports the Plug & Play function and can easily handle large files like 4K videos, multimedia files, and various documents; it is also a perfect booster for ultra-thin laptop computers, which usually have limited memory storage. A reassuring 3-year warranty is in place guarantee the best of storage experience for all users.

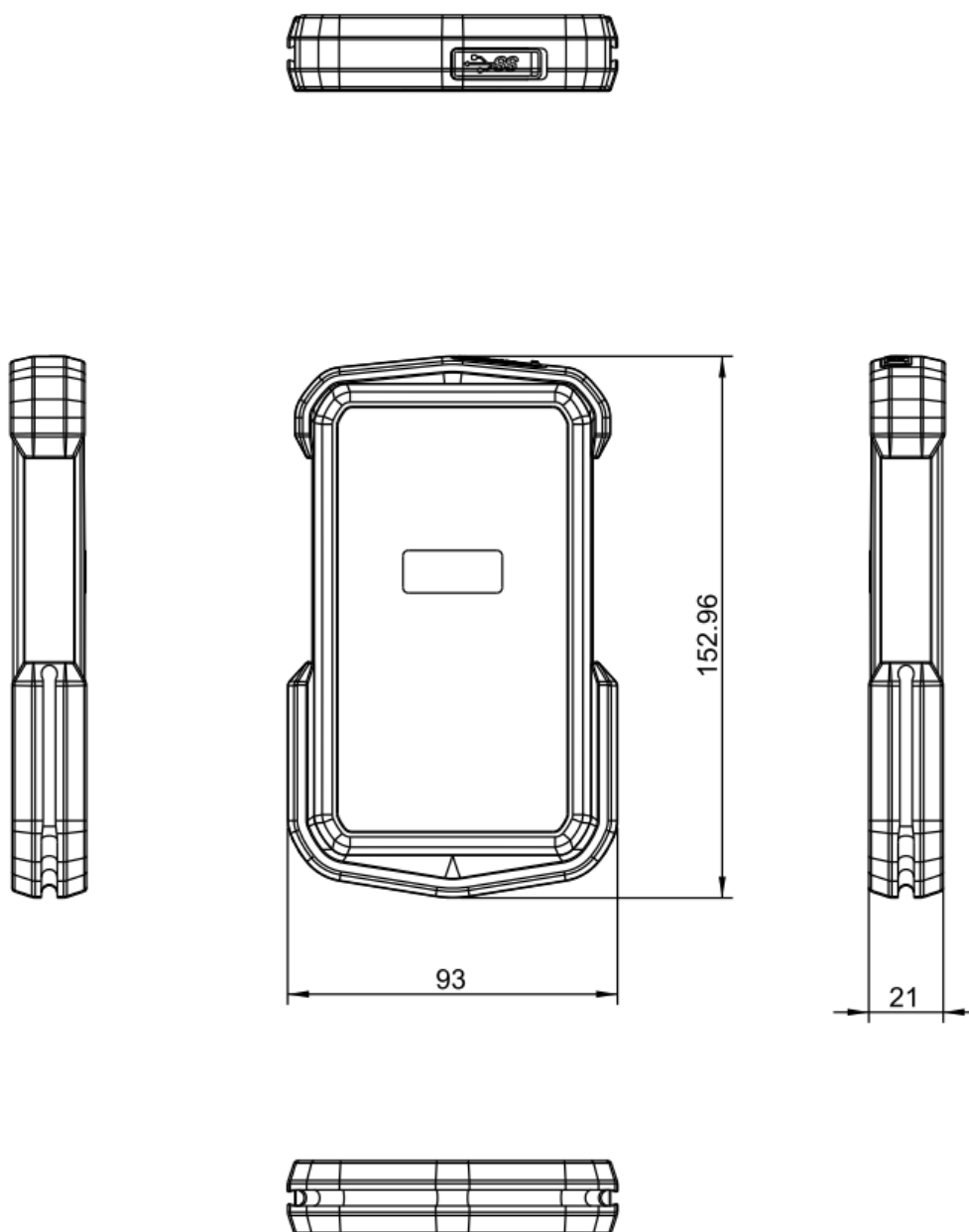
## **USB 3.2 Gen 1 Military-Grade Shockproof Portable Hard Drive AC631**

### **2.Features**

- USB 3.2 Gen 1 (USB 3.0) 2.5" portable hard drive
- Compliant with the U.S. Military-grade drop test standard MIL-STD-810G 516.6 Procedure IV (transit drop test of a freefall test 122cm on 26 contact points)
- IP55 dustproof and water resistant protections
- Cable carry design
- Anti-scratch design
- USB Type-A female connector provides sturdy & solid plug/ unplug ability
- Sturdy and elegant design of aluminum casing
- Supports Plug & Play and easy to use
- Supported capacity: 1TB & 2TB

## USB 3.2 Gen 1 Military-Grade Shockproof Portable Hard Drive AC631

### 3. Dimensions



## USB 3.2 Gen 1 Military-Grade Shockproof Portable Hard Drive AC631

### 4. Product Specifications

<b>Color</b>	Plastic: black / rubber: blue
<b>Capacity</b>	1TB / 2TB
<b>Material</b>	Plastic / rubber
<b>HDD Interface</b>	2.5 " SATA HDD
<b>Interface</b>	SuperSpeed USB 3.2 Gen1 (USB 3.0) and backward compatible with USB 2.0
<b>Power Supply</b>	USB bus powered; No external power required
<b>Systems Supported</b>	Windows 10/8.1/8/7/XP, Mac OS 10.4.X or above, Linux Kernel 2.6.X or above
<b>Transfer Rate</b>	<ul style="list-style-type: none"> <li>- SuperSpeed up to 5Gbps for USB 3.2 Gen 1</li> <li>- Hi-Speed up to 480Mbps for USB 2.0</li> </ul>
<b>Dimensions</b>	(L) 152.96 x (W) 93 x (H) 21 mm
<b>Weight</b>	263g (with cable)
<b>Certificate</b>	CE, FCC, BSMI, RCM
<b>Accessory</b>	USB Cable
<b>Warranty</b>	3 Years

## USB 3.2 Gen 1 Military-Grade Shockproof Portable Hard Drive **AC631**

### 5. Notice

- This drive is preformatted as a single partition in NTFS file system for compatibility with all updated Windows OS. If you want to use the drive under other operating systems, please reformat the drive first.

### 6. Service

3-year warranty  
RMA

# USB 3.2 Gen 1 Military-Grade Shockproof Portable Hard Drive AC631

## Revision History

Version	Description	Date
1.0	Official Release	19/1/2018
1.1	Global Office Addresses Revised	28/10/2019
2.0	Spec Update	24/11/2021



**USB 3.2 Gen 1 Military-Grade Shockproof Portable Hard Drive**  
**AC631**

## Global Presence

### Taiwan (HQ)

**Apacer Technology Inc.**  
1F., No.32, Zhongcheng Rd., Tucheng Dist.,  
New Taipei City 236, Taiwan R.O.C.  
Tel: 886-2-2267-8000  
Fax: 886-2-2267-2261  
[amtsales@apacer.com](mailto:amtsales@apacer.com)

### U.S.A.

**Apacer Memory America, Inc.**  
46732 Lakeview Blvd., Fremont, CA 94538  
Tel: 1-408-518-8699  
Fax: 1-510-249-9568  
[sa@apacerus.com](mailto:sa@apacerus.com)

### Japan

**Apacer Technology Corp.**  
6F, Daiyontamachi Bldg., 2-17-12, Shibaura,  
Minato-Ku, Tokyo, 108-0023, Japan  
Tel: 81-3-5419-2668  
Fax: 81-3-5419-0018  
[jpservices@apacer.com](mailto:jpservices@apacer.com)

### Europe

**Apacer Technology B.V.**  
Science Park Eindhoven 5051 5692 EB Son,  
The Netherlands  
Tel: 31-40-267-0000  
Fax: 31-40-267-0000#6199  
[sales@apacer.nl](mailto:sales@apacer.nl)

### China

**Apacer Electronic (Shanghai) Co., Ltd**  
Room D, 22/FL, No.2, Lane 600, Jieyun Plaza,  
Tianshan RD, Shanghai, 200051, China  
Tel: 86-21-6228-9939  
Fax: 86-21-6228-9936  
[sales@apacer.com.cn](mailto:sales@apacer.com.cn)

### India

**Apacer Technologies Pvt Ltd,**  
1874, South End C Cross, 9th Block Jayanagar,  
Bangalore-560069, India  
Tel: 91-80-4152-9061/62  
Fax: 91-80-4170-0215  
[sales\\_india@apacer.com](mailto:sales_india@apacer.com)