

**USB 3.2 Gen 1 Shockproof Portable Hard Drive**  
**AC532**

USB 3.2 Gen 1 (USB 3.0)

Shockproof

Portable Hard Drive

**AC532**



***Apacer Technology Inc.***

1F, No.32, Zhongcheng Rd., Tucheng Dist., New Taipei City, Taiwan, R.O.C

Tel: +886-2-2267-8000 / Fax: +886-2-2267-2261

[www.apacer.com](http://www.apacer.com)

**USB 3.2 Gen 1 Shockproof Portable Hard Drive**  
**AC532**

## Table of Contents

1. Product Introduction .....	3
2. Features .....	4
3. Dimensions.....	5
4. Product Specifications .....	6
5. Notice .....	7
6. Service .....	7
Revision History.....	8
Global Presence .....	9

## USB 3.2 Gen 1 Shockproof Portable Hard Drive AC532

### 1. Product Introduction

Apacer launches the brand-new AC532, a classic portable hard drive combining a slim shape with great protection design, making it a high price-performance choice in portable hard drives. AC532 is equipped with an anti vibration internal suspension structure, which endures drops from 1-meter height. The anti-slip design on two sides makes AC532 easy to hold and carry, efficiently reducing damage from dropping, falling, bumping, and other shocks to ensure the safety of data. Also, AC532 adopts a SuperSpeed USB 3.2 Gen 1 transmission interface which greatly decreases the transmission time, and its capacity is up to 2TB, making your mobile life full of freedom and efficiency!

AC532 is equipped with triple safety protections: anti-vibration internal suspension structure, 1-meter shockproof and anti-slip design. With the comprehensive protection, AC532 considerably guards the precious data for users. The advanced anti vibration internal suspension structure allows the hard drive to form a buffer for external forces, and reduces the impact from accidental drop or movement when accessing data. Beside, AC532 has passed the 1-meter drop test, showing that it is resistant to fall of 1-meter height without losing data. These solid protections make AC532 an excellent choice for portable storage!

Combining stylish and safety protection design, Apacer AC532 is available in two classic colors: mysterious black and glossy white, featuring a smooth mirror surface which shows its concise and neat style. The four corners of AC532 are covered with rough texture patterns, which can improve the shock tolerance of the hard drive, and the thoughtful anti-slip design on two sides not only makes it easy to hold and carry but also avoids the accident of dropping.

AC532 has passed a number of safety certification such as CE, FCC, RCM and BSMI to ensure its safety and compatibility meet the international standards. With the sturdy USB Type-A female connector, AC532 can bear more than 10,000 times plug-ins and unplugging, providing another safety guarantee for users.

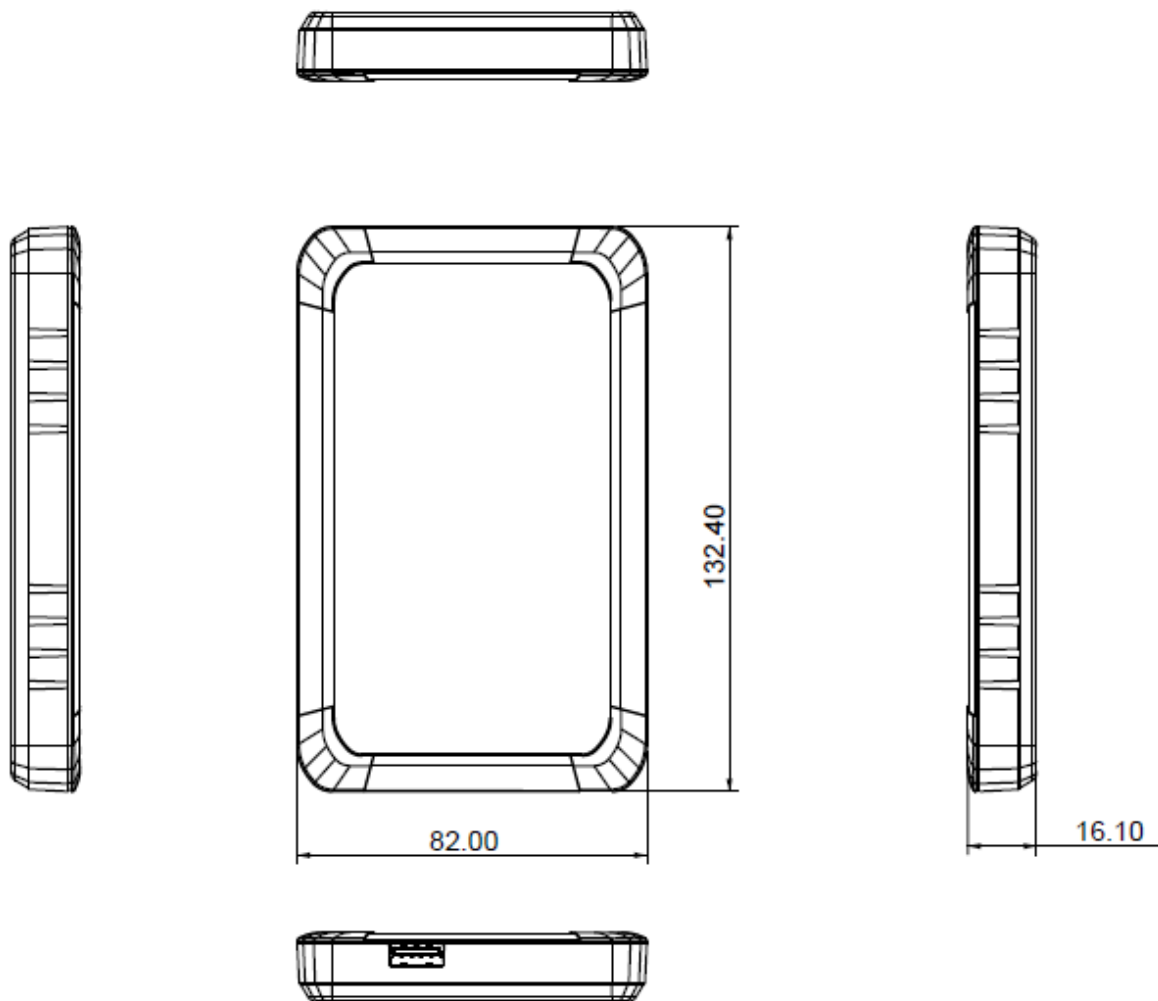
## USB 3.2 Gen 1 Shockproof Portable Hard Drive AC532

### 2.Features

- USB 3.2 Gen 1 (USB 3.0) 2.5" portable hard drive
- Anti Vibration with Internal Suspension Structure
- 1-Meter Shockproof Protection
- USB type-A female connector enhances plug and unplug abilities with providing sturdy & solid structure.
- Anti-Slip Design- easy to hold and carry
- Supports Plug & Play
- Supported capacity: 1TB & 2TB

USB 3.2 Gen 1 Shockproof Portable Hard Drive  
**AC532**

### 3. Dimensions



Unit: mm

## USB 3.2 Gen 1 Shockproof Portable Hard Drive AC532

### 4. Product Specifications

<b>Color</b>	Black & White
<b>Capacity</b>	1TB / 2TB
<b>Material</b>	Plastic
<b>HDD Interface</b>	2.5 " SATA HDD
<b>Interface</b>	SuperSpeed USB 3.2 Gen1 (USB 3.0) and backward compatible with USB 2.0
<b>Power Supply</b>	USB bus powered; No external power required
<b>Systems Supported</b>	Windows 10/8.1/8/7/XP, Mac OS 10.4.X or above, Linux Kernel 2.6.X or above
<b>Transfer Rate</b>	<ul style="list-style-type: none"> <li>- SuperSpeed up to 5Gbps for USB 3.2 Gen 1</li> <li>- Hi-Speed up to 480Mbps for USB 2.0</li> </ul>
<b>Dimensions</b>	(L)132.4 x (W)82 x (H)16.1 mm
<b>Weight</b>	190g
<b>Certificate</b>	CE, FCC, BSMI, RCM
<b>Accessory</b>	USB Cable
<b>Warranty</b>	3 Years

## USB 3.2 Gen 1 Shockproof Portable Hard Drive **AC532**

### 5. Notice

- This drive is preformatted as a single partition in NTFS file system for compatibility with all updated Windows OS. If you want to use the drive under other operating systems, please reformat the drive first.

### 6. Service

3-year warranty  
RMA

## USB 3.2 Gen 1 Shockproof Portable Hard Drive AC532

### Revision History

Version	Description	Date
1.0	Official Release	18/8/2017
1.1	Global Office Addresses Revised	28/10/2019
2.0	Spec Update	24/11/2021



**USB 3.2 Gen 1 Shockproof Portable Hard Drive**  
**AC532**

## Global Presence

### Taiwan (HQ)

**Apacer Technology Inc.**  
1F., No.32, Zhongcheng Rd., Tucheng Dist.,  
New Taipei City 236, Taiwan R.O.C.  
Tel: 886-2-2267-8000  
Fax: 886-2-2267-2261  
[amtsales@apacer.com](mailto:amtsales@apacer.com)

### U.S.A.

**Apacer Memory America, Inc.**  
46732 Lakeview Blvd., Fremont, CA 94538  
Tel: 1-408-518-8699  
Fax: 1-510-249-9568  
[sa@apacerus.com](mailto:sa@apacerus.com)

### Japan

**Apacer Technology Corp.**  
6F, Daiyontamachi Bldg., 2-17-12, Shibaura,  
Minato-Ku, Tokyo, 108-0023, Japan  
Tel: 81-3-5419-2668  
Fax: 81-3-5419-0018  
[jpservices@apacer.com](mailto:jpservices@apacer.com)

### Europe

**Apacer Technology B.V.**  
Science Park Eindhoven 5051 5692 EB Son,  
The Netherlands  
Tel: 31-40-267-0000  
Fax: 31-40-267-0000#6199  
[sales@apacer.nl](mailto:sales@apacer.nl)

### China

**Apacer Electronic (Shanghai) Co., Ltd**  
Room D, 22/FL, No.2, Lane 600, Jieyun Plaza,  
Tianshan RD, Shanghai, 200051, China  
Tel: 86-21-6228-9939  
Fax: 86-21-6228-9936  
[sales@apacer.com.cn](mailto:sales@apacer.com.cn)

### India

**Apacer Technologies Pvt Ltd,**  
1874, South End C Cross, 9th Block Jayanagar,  
Bangalore-560069, India  
Tel: 91-80-4152-9061/62  
Fax: 91-80-4170-0215  
[sales\\_india@apacer.com](mailto:sales_india@apacer.com)